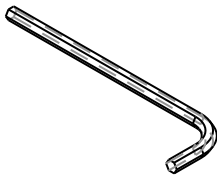


ABAK™ Environments 88 BEAM ASSEMBLY INSTALLATION INSTRUCTIONS

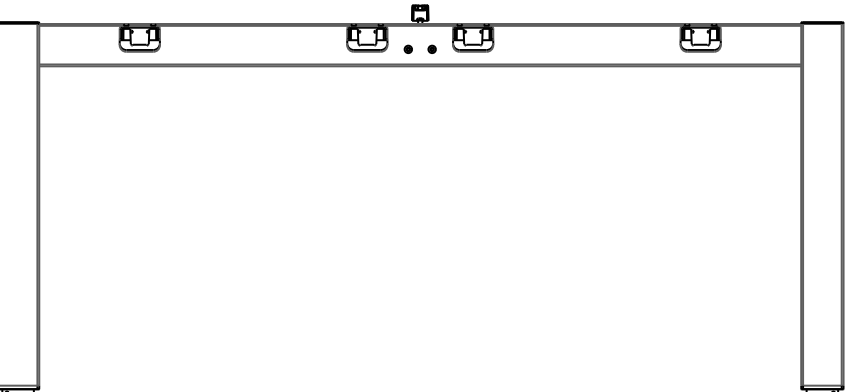
TOOLS REQUIRED



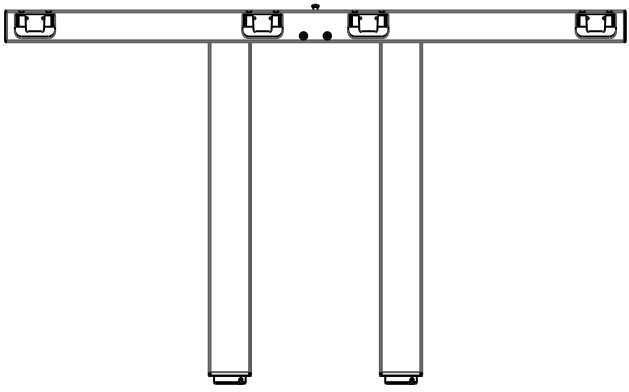
4 mm ALLEN WRENCH

PARTS INCLUDED

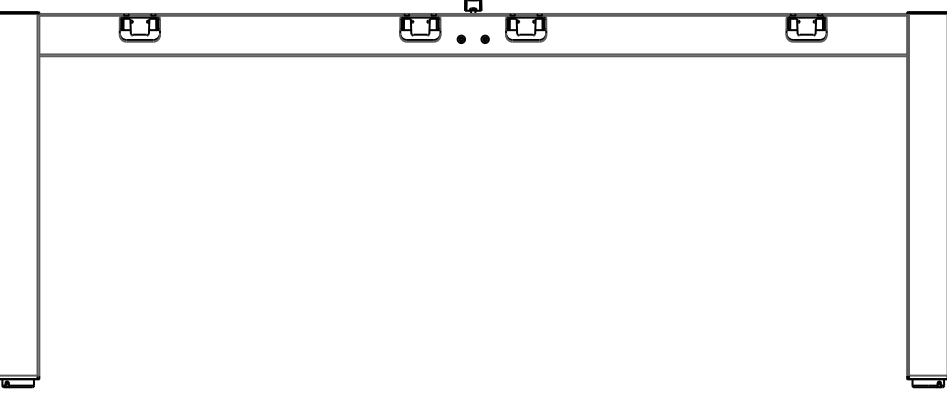
A AKH970_0808G



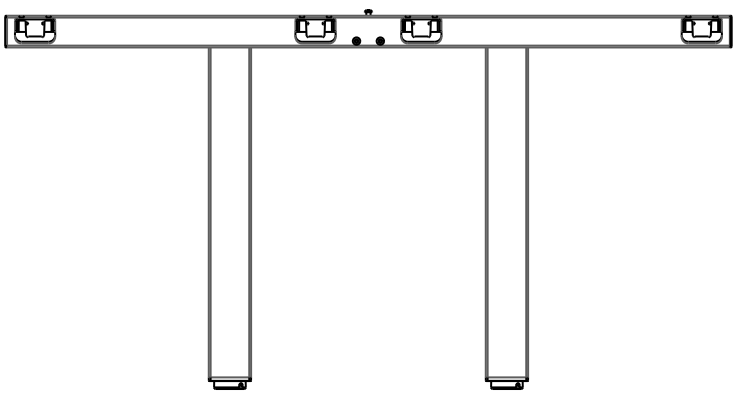
D AKH971_0808G



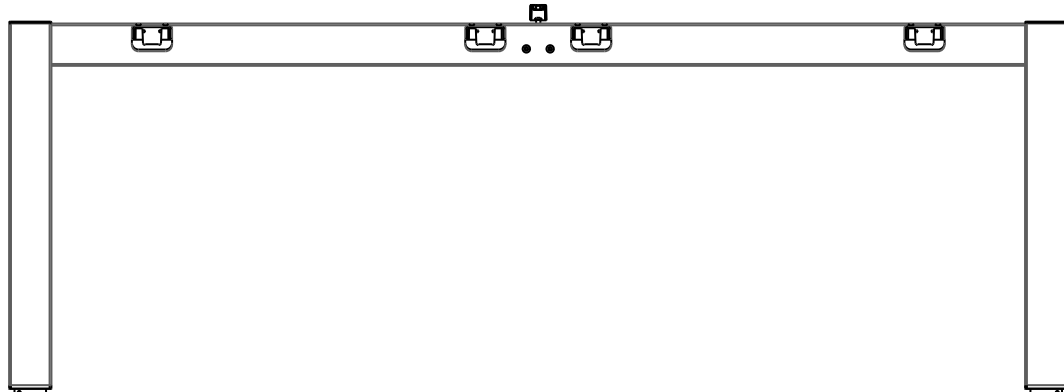
B AKH970_0909G



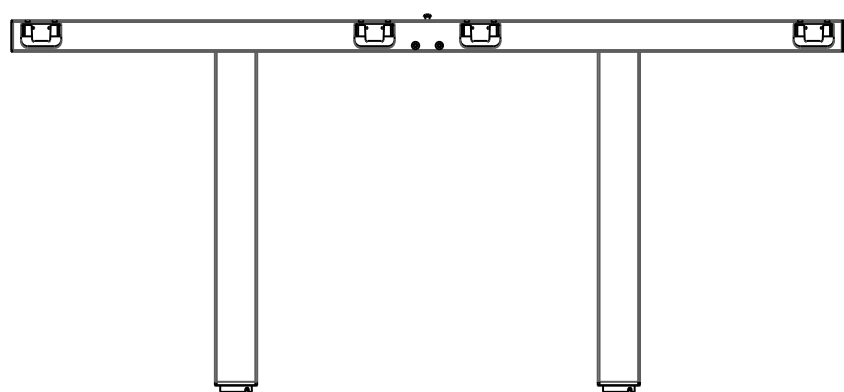
E AKH971_0909G



C AKH970_1010G

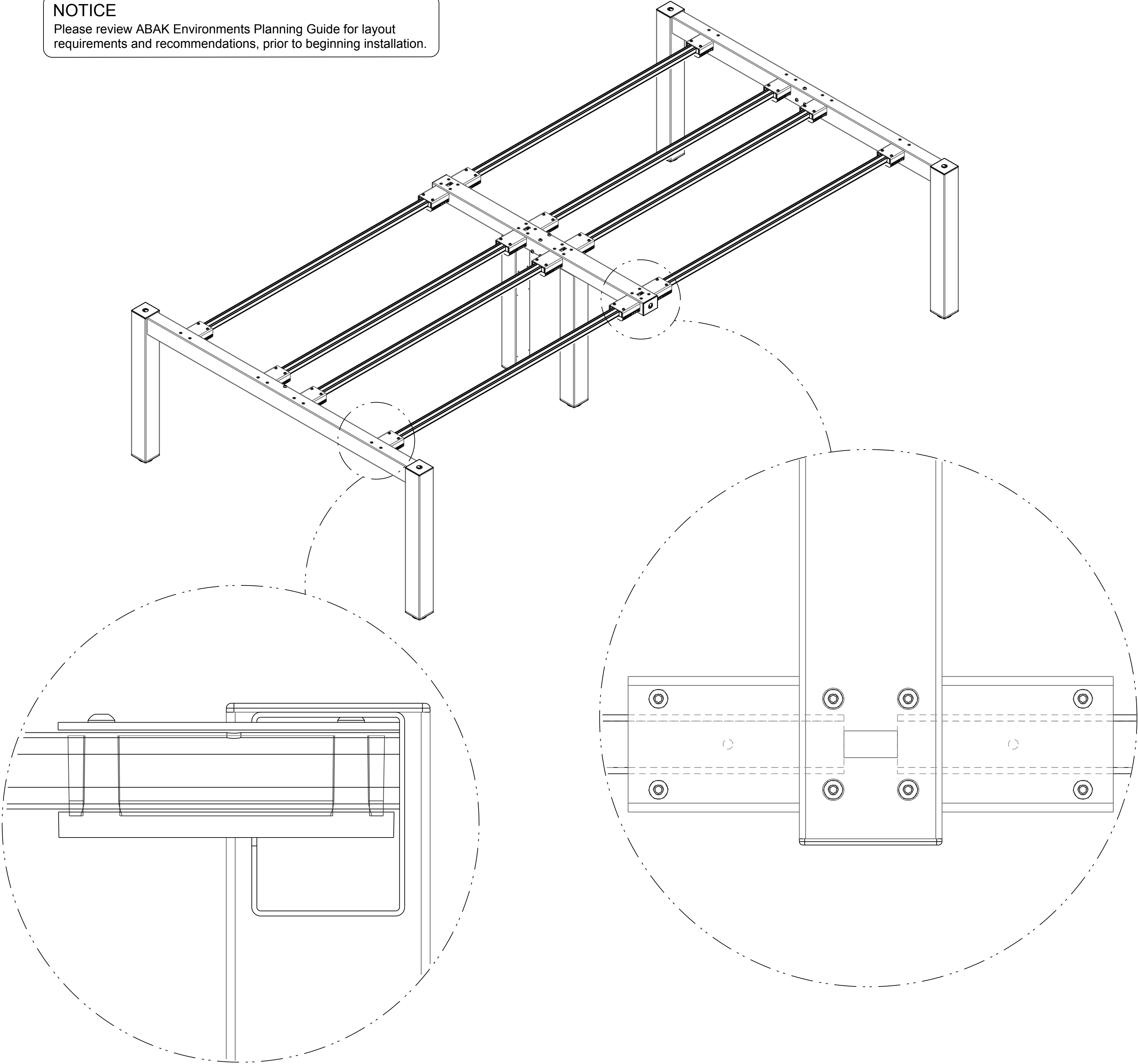


F AKH971_1010G



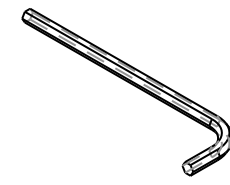
PROCEEDURE

NOTICE
Please review ABAK Environments Planning Guide for layout requirements and recommendations, prior to beginning installation.



ABAK™ Environments 88 SCREEN ASSEMBLY INSTALLATION INSTRUCTIONS

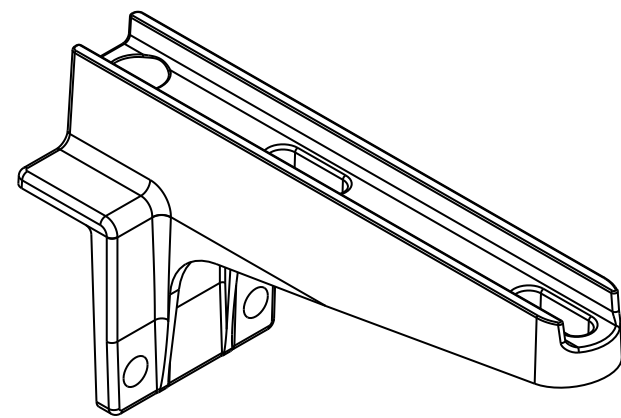
TOOLS REQUIRED



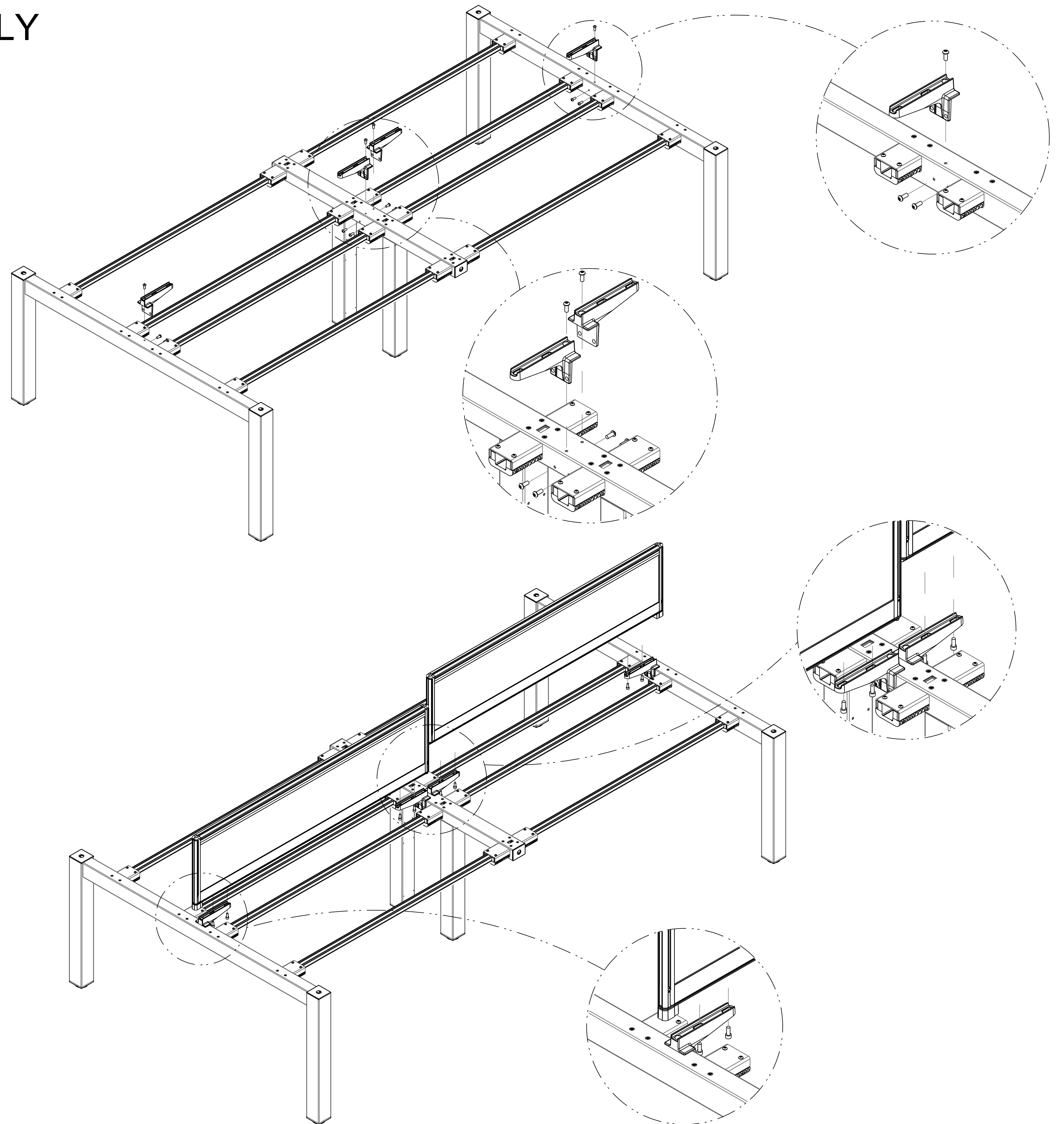
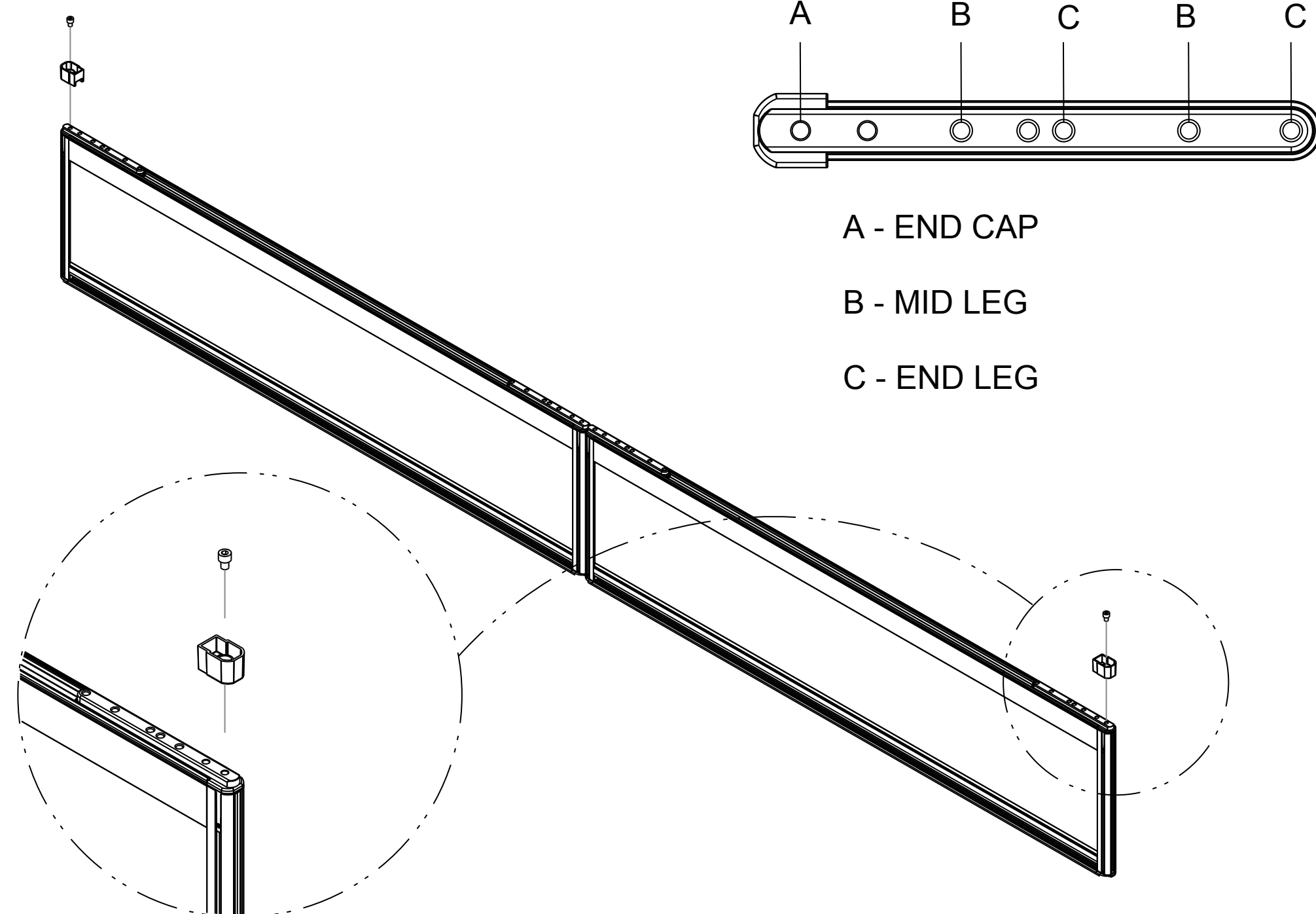
6 mm ALLEN WRENCH

PARTS INCLUDED

A AK1189.



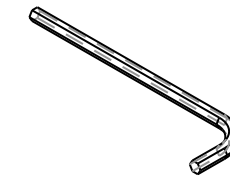
PROCEDURE



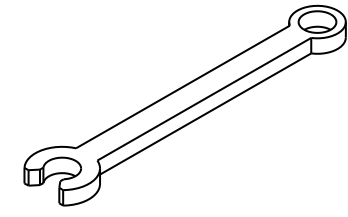
ABAK™ Environments 88 HORIZONTAL WIRE MANAGEMENT ASSEMBLY INSTALLATION INSTRUCTIONS

AKH971.0909G
AKH971.1010G

TOOLS REQUIRED



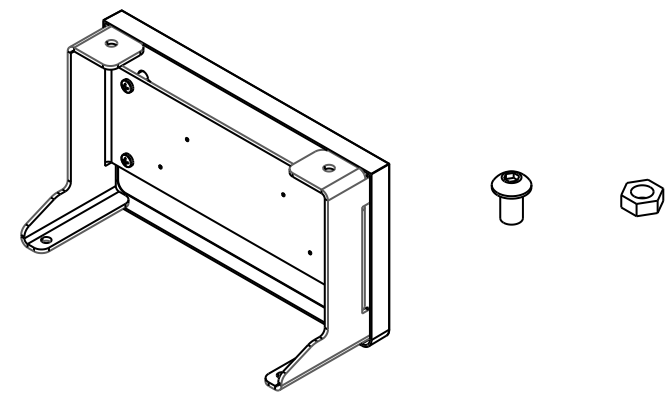
4 mm ALLEN WRENCH



10 mm SPANNER

PARTS INCLUDED

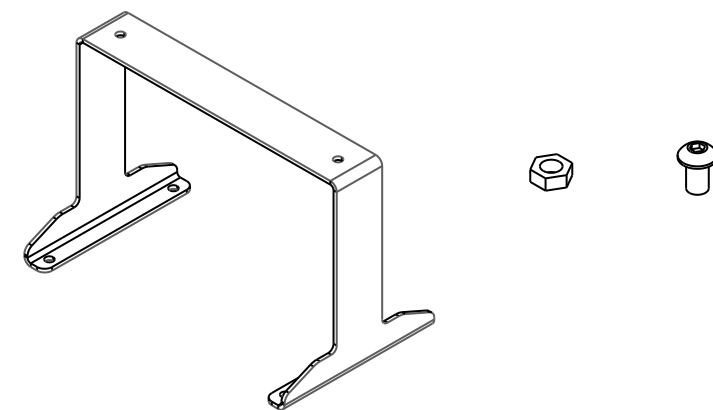
A AK1755.



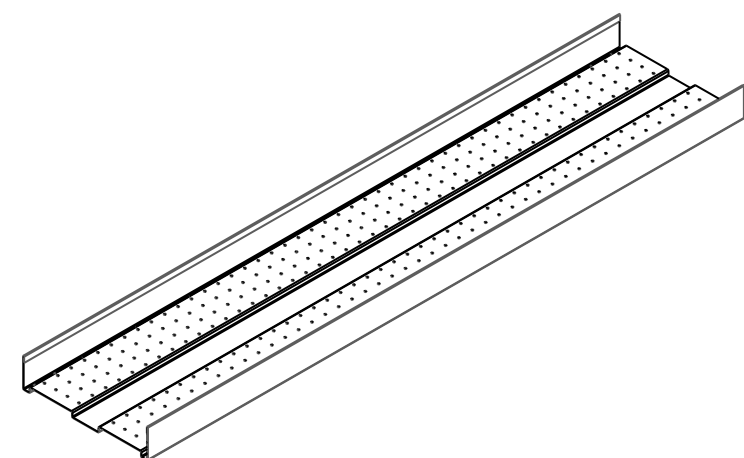
B AK1756.



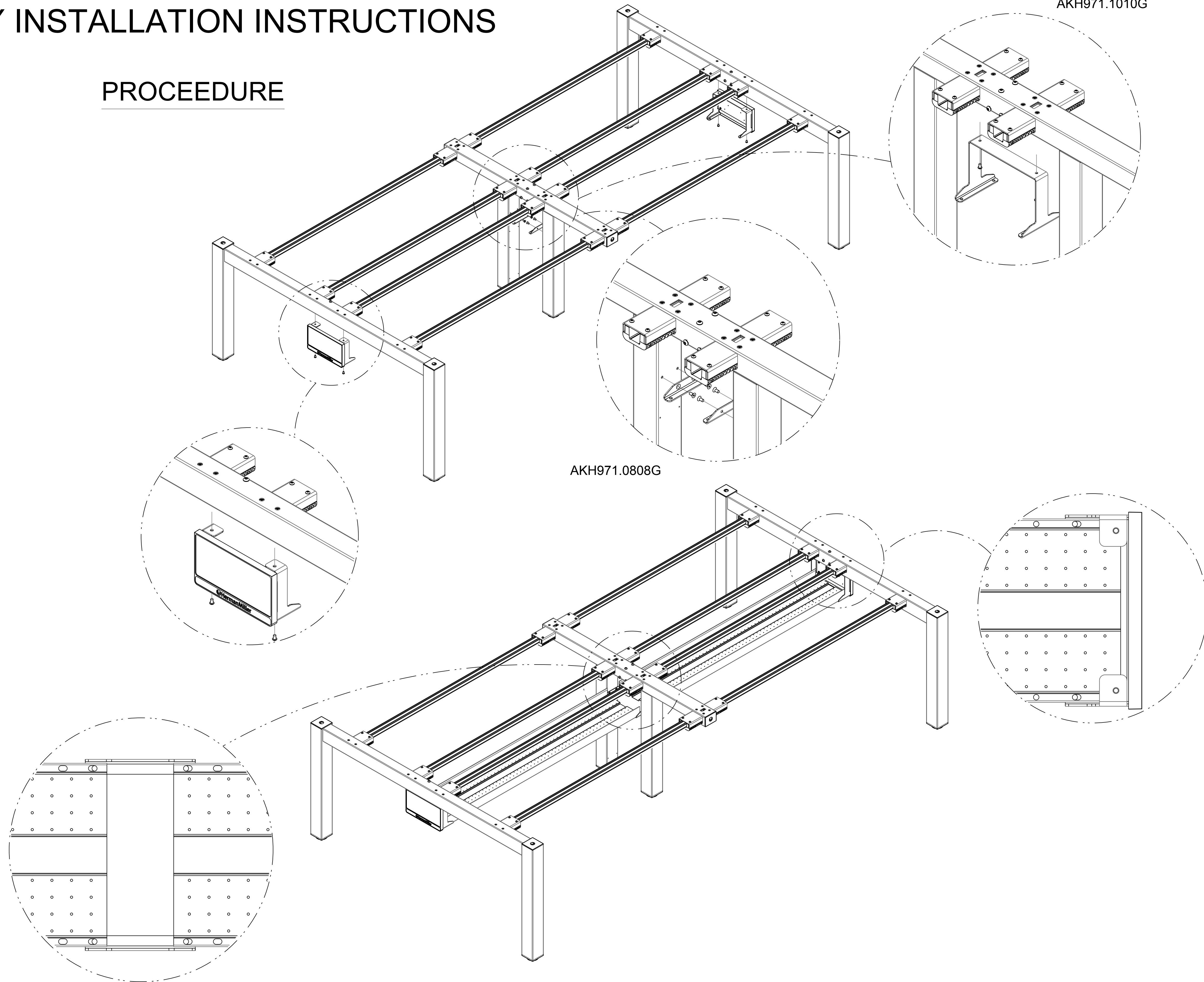
C AK1757.



D AK1750.12
AK1750.14
AK1750.15
AK1750.16
AK1750.18
AK1750.20
AK1750.24

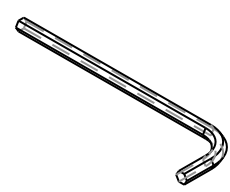


PROCEEDURE

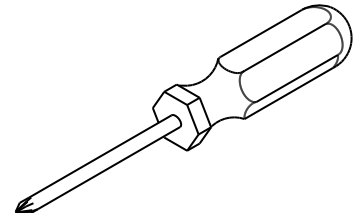


ABAK™ Environments 88 ON MODULE VERTICAL WIRE MANAGEMENT ASSEMBLY INSTALLATION INSTRUCTIONS

TOOLS REQUIRED



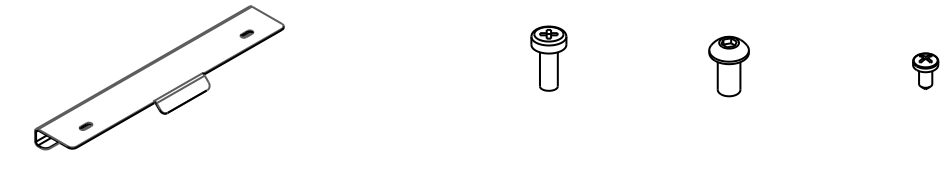
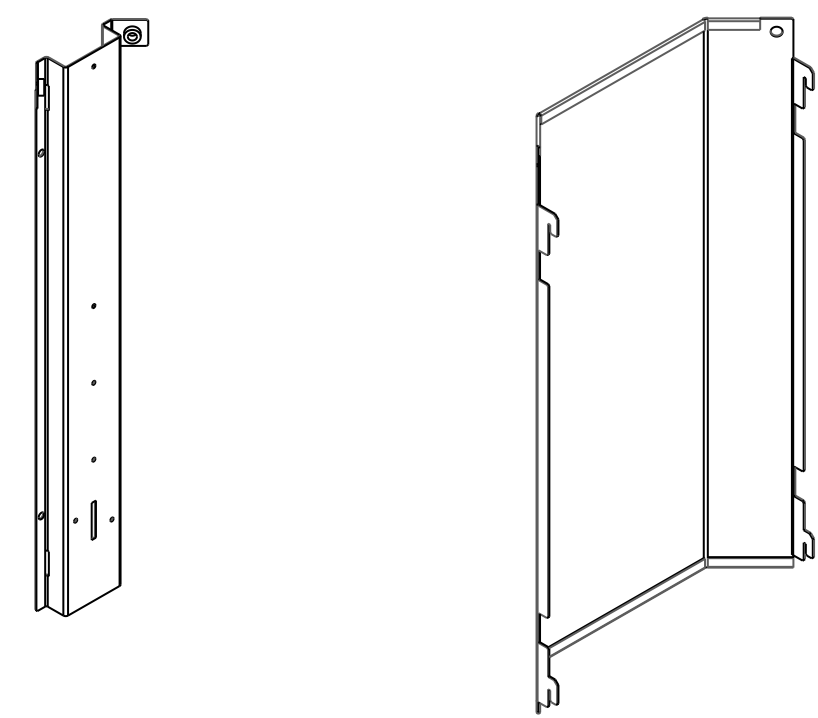
4 mm ALLEN WRENCH



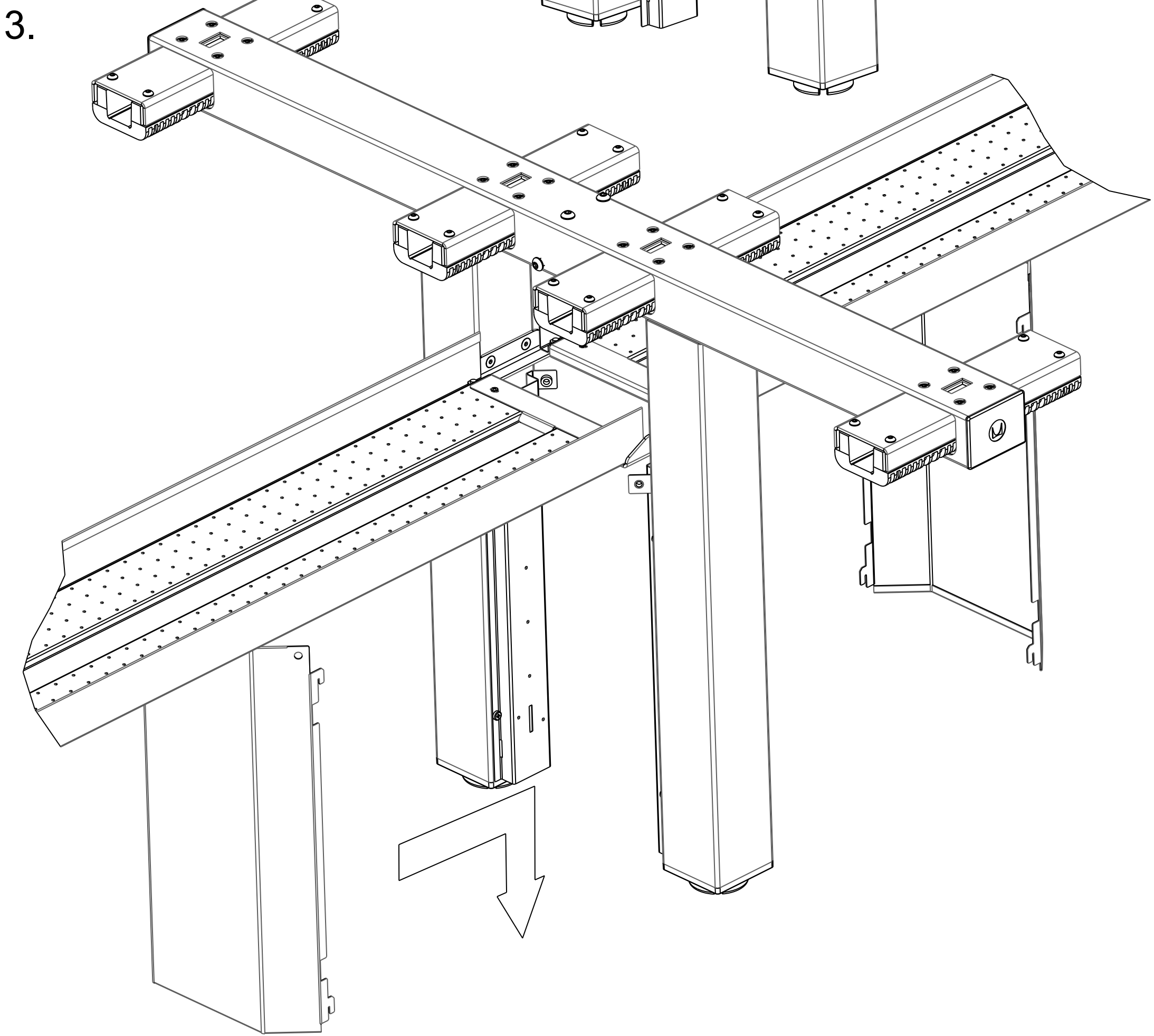
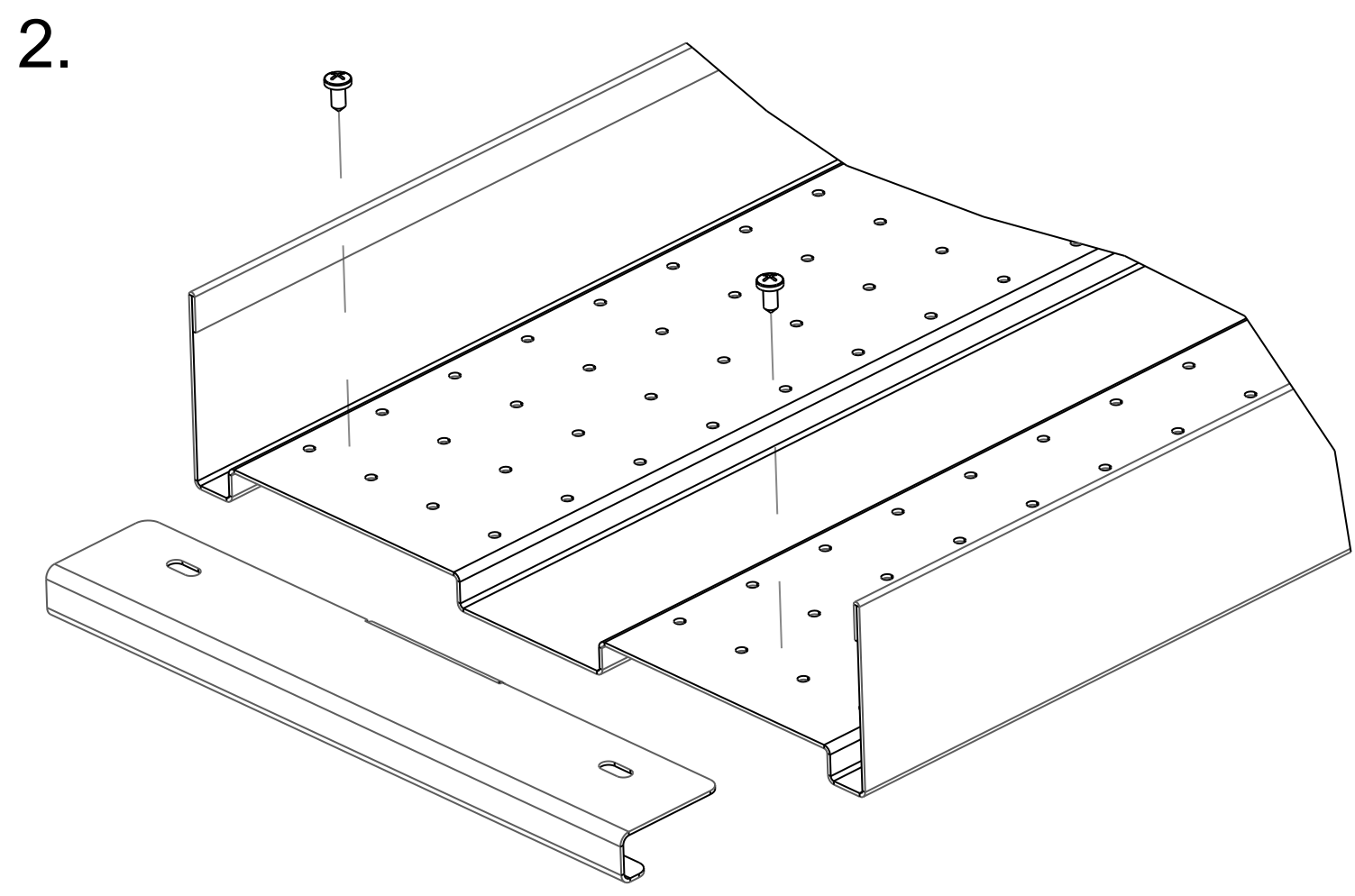
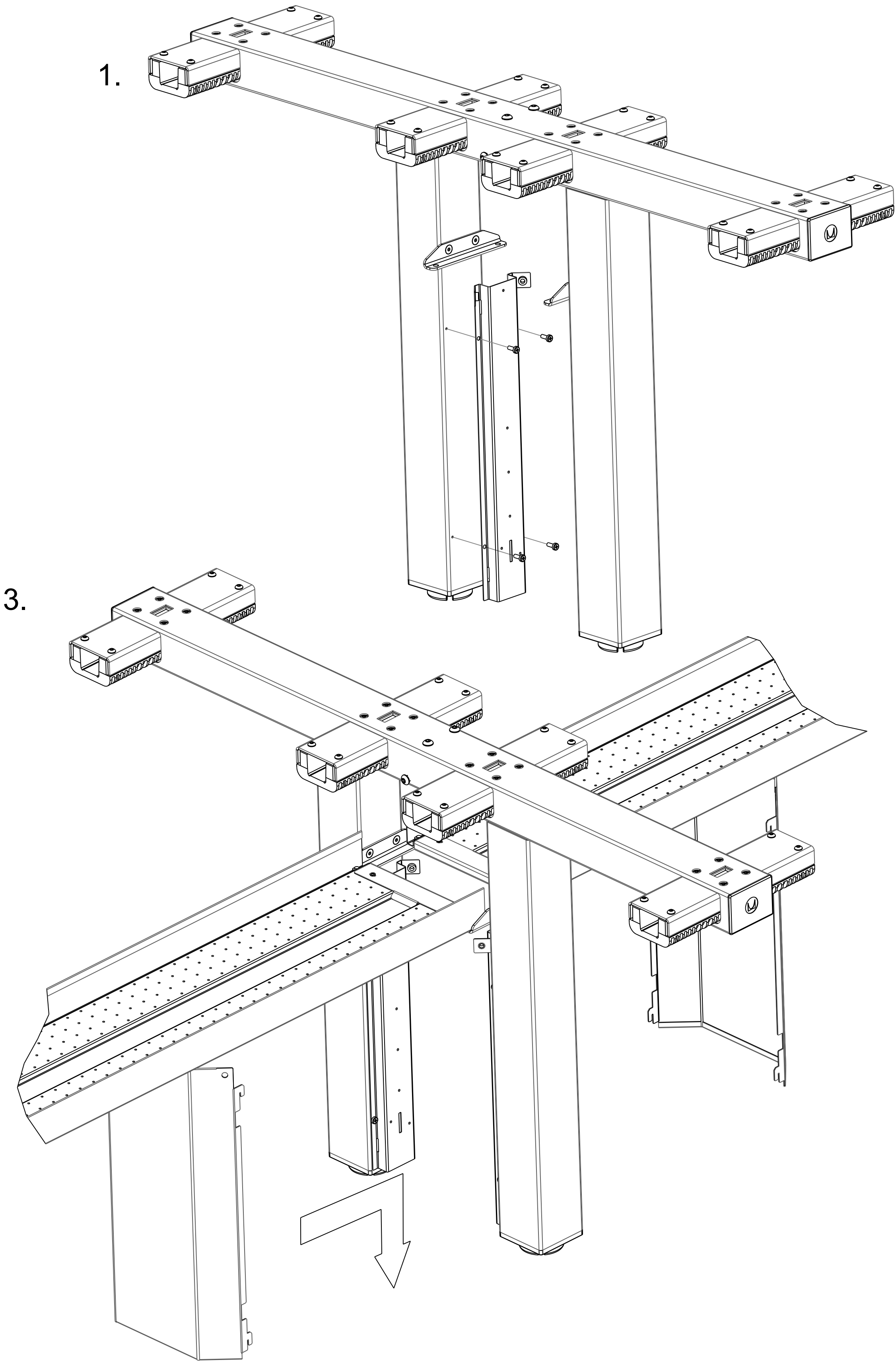
PHILIPS SCREWDRIVER

PARTS INCLUDED

A AK1752.

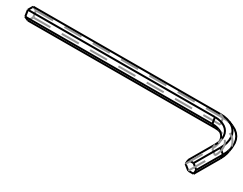


PROCEEDURE

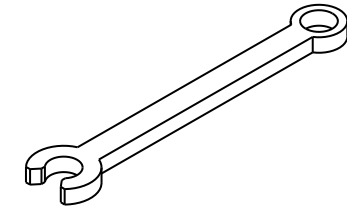


ABAK™ Environments 88 OFF MODULE VERTICAL WIRE MANAGEMENT ASSEMBLY INSTALLATION INSTRUCTIONS

TOOLS REQUIRED



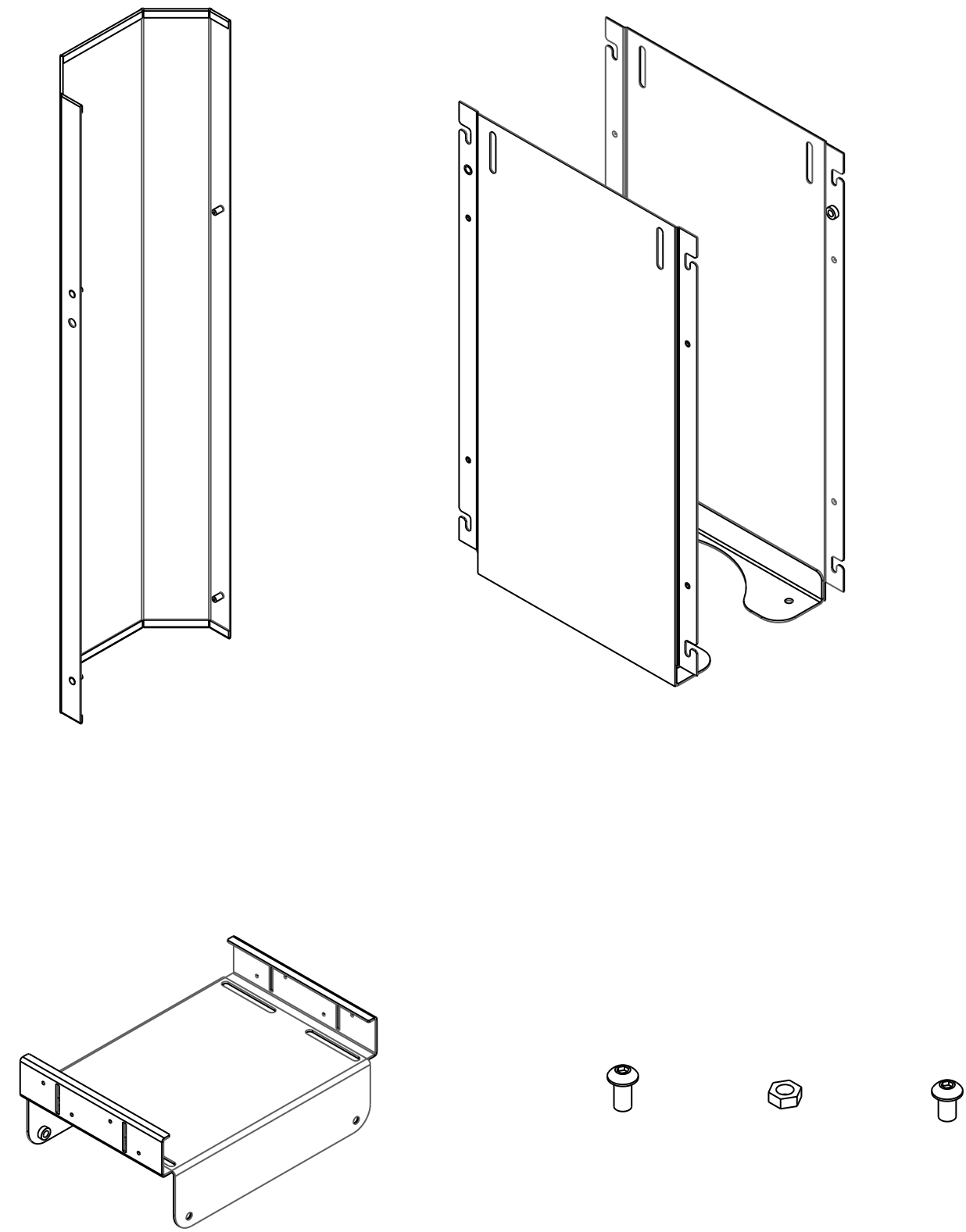
4 mm ALLEN WRENCH



10 mm SPANNER

PARTS INCLUDED

A AK1753.



PROCEEDURE

